

DH-CA-FW181I

HDIS Water-proof IR-Bullet Camera



Features

- 1/3" HDIS
- High resolution of 720TVL(Color)
- Day/Night(ICR), DNR, AWB, AGC,BLC
- 6mm fixed lens (2.8mm, 3.6mm, 8mm optional)
- Max. IR LEDs length 20m, Smart IR
- IP66, DC12V

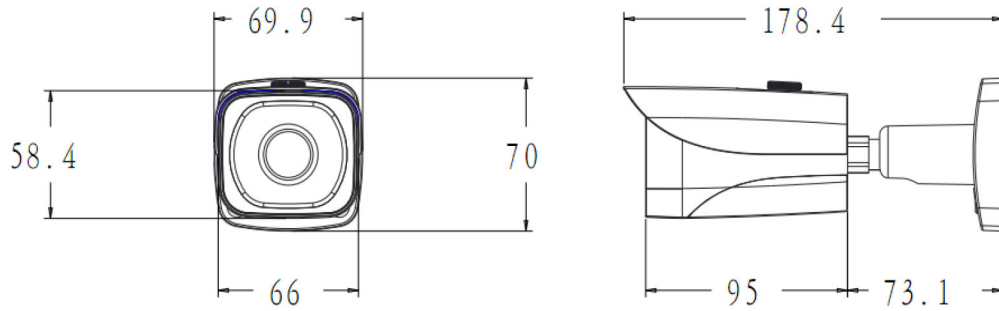
DH-CA-FW181I

Technical Specifications

Model	DH-CA-FW181IP	DH-CA-FW181IN
Camera		
Image Sensor	1/3" HDIS	
Effective Pixels	960(H)×480(V)	
Horizontal Resolution	720TVL	
Electronic Shutter	1/50s~1/100,000s	1/60s~1/100,000s
Synchronization	Internal	
Mini. Illumination	0.01Lux@F1.2(AGC ON), 0Lux IR on	
S/N Ratio	More than 65dB (AGC OFF)	
Video Output	1Vp-p Composite Output (75Ω/BNC)	
Camera Features		
Max. IR LEDs Length	20m, Smart IR	
Day/Night	Auto(ICR) / Color / B/W	
Backlight Compensation	BLC	
White Balance	Auto	
Gain Control	Auto	
Noise Reduction	2D	
Lens		
Focal Length	6mm fixed lens (2.8mm, 3.6mm, 8mm optional)	
Mount Type	M12	
General		
Power Supply	DC12V±10%	
Power Consumption	Max 3W	
Working Environment	-40°C~+60°C / Less than 95%RH	
Ingress Protection	IP66	
Dimensions(W×D×H)	178.4mm × 69.9mm× 70.0mm	
Weight	400g	

DH-CA-FW181I

Dimensions (mm)



Main Office Address:(Cebu City)
Ground Floor SUGBUTEL Bldg. S. Osmeña Blvd.
Corner Road East North Reclamation Area
(Near SM City) Cebu, 6000 Philippines
Contact:
Tel#: (032) 266 - 7122
Email: sales@gigaworkz.net

Cagayan De Oro Branch
2nd Floor ORO Holiday Appliance Plaza Bldg.
Osmeña Extension St.
(Beside Capitol University - Back Gate)
Cagayan De Oro City, 9000 Philippines
Contact:
Tel#: (088) 880 - 1821
Email: salescagayan@gigaworkz.net

Metro Manila Branch
Suite 815, Ortigas Bldg.,
Ortigas Avenue(In-front of Meralco Bldg.)
Pasig City, Philippines
Contact:
Tel #: (02) 632 - 0720
Email: salesmanila@gigaworkz.net