

## DH-CA-DW171C

---

### 600TVL Waterproof IR Dome Camera



#### Features

- > 1/3" HDIS
- > High resolution of 600TVL(Color)
- > Day/Night(ICR), AWB, AGC, BLC
- > 3.6mm fixed lens (2.8mm, 6mm, 8mm, 12mm optional)
- > Max. IR LEDs length 20m (50m optional) , Smart IR
- > IP66, DC12V

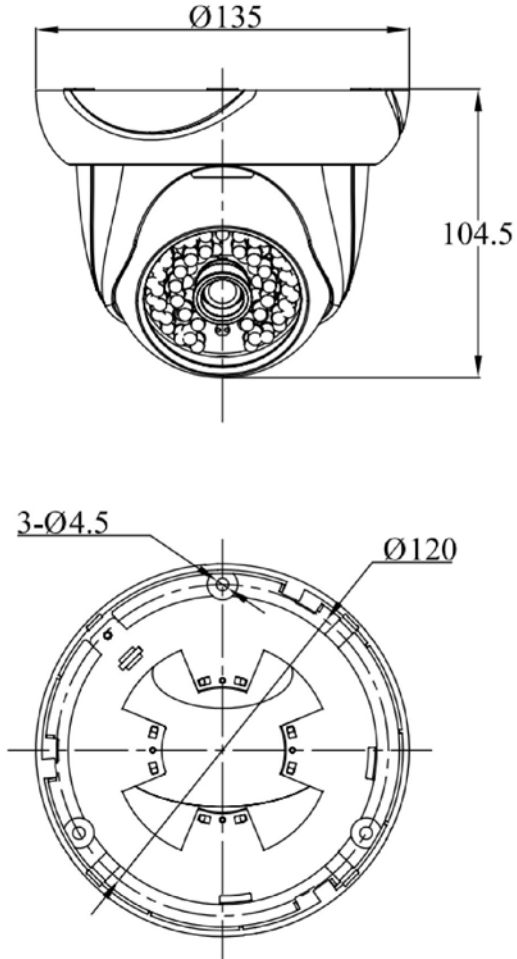
## DH-CA-DW171C

### Technical Specifications

Model	DH-CA-DW171CP	DH-CA- DW171CN
<b>Camera</b>		
Image Sensor	1/3" HDIS	
Effective Pixels	720(H) x480(V) 340K pixels	
Horizontal Resolution	Color: 600TVL	
Electronic Shutter	1/50s~1/100,000s	1/60s~1/100,000s
Synchronization	Internal	
Min. Illumination	0.1Lux@F1.2(0Lux IR LED on)	
S/N Ratio	> 60dB(AGC Off)	
Video Output	1Vp-p Composite Output (75Ω/BNC)	
<b>Camera Features</b>		
Max. IR LEDs Length	20m (50m optional), Smart IR	
Day/Night	Auto(ICR) / Color / B/W	
Backlight Compensation	BLC	
White Balance	Auto	
Gain Control	Auto	
<b>Lens</b>		
Focal Length	3.6mm(2.8mm, 6mm, 8mm, 12mm optional)	
Mount Type	M12	
<b>General</b>		
Power Supply	DC12V±10%	
Power Consumption	Max 3.5W	
Working Environment	-40°C~+60°C / 20%~80%RH	
Ingress Protection	IP66	
Dimensions	Φ135mm × 104mm	
Weight	600g	

# DH-CA-DW171C

## Dimensions (mm)



**Main Office Address:(Cebu City)**  
Ground Floor SUGBUTEL Bldg. S. Osmeña Blvd.  
Corner Road East North Reclamation Area  
(Near SM City) Cebu, 6000 Philippines  
**Contact:**  
Tel#: (032) 266 - 7122  
Email: sales@gigaworkz.net

**Cagayan De Oro Branch**  
2nd Floor ORO Holiday Appliance Plaza Bldg.  
Osmeña Extension St.  
(Beside Capitol University - Back Gate)  
Cagayan De Oro City, 9000 Philippines  
**Contact:**  
Tel#: (088) 880 - 1821  
Email: salescagayan@gigaworkz.net

**Metro Manila Branch**  
Suite 815, Ortigas Bldg.,  
Ortigas Avenue(In-front of Meralco Bldg.)  
Pasig City, Philippines  
**Contact:**  
Tel #: (02) 632 - 0720  
Email: salesmanila@gigaworkz.net