

## DH-CA-FW480

### 700TVL Water-proof IR Camera



#### Features

- > 1/3" SONY Super HAD CCD II & Effio-E DSP
- > High resolution of 700TVL(Color)
- > DWDR, AGC, ATW, BLC
- > 4~9mm varifocal lens (2.8~12mm optional)
- > Max. IR LEDs length 30m, Smart IR
- > IP66, DC12V (-A model: DC12V/AC24V dual power supply)

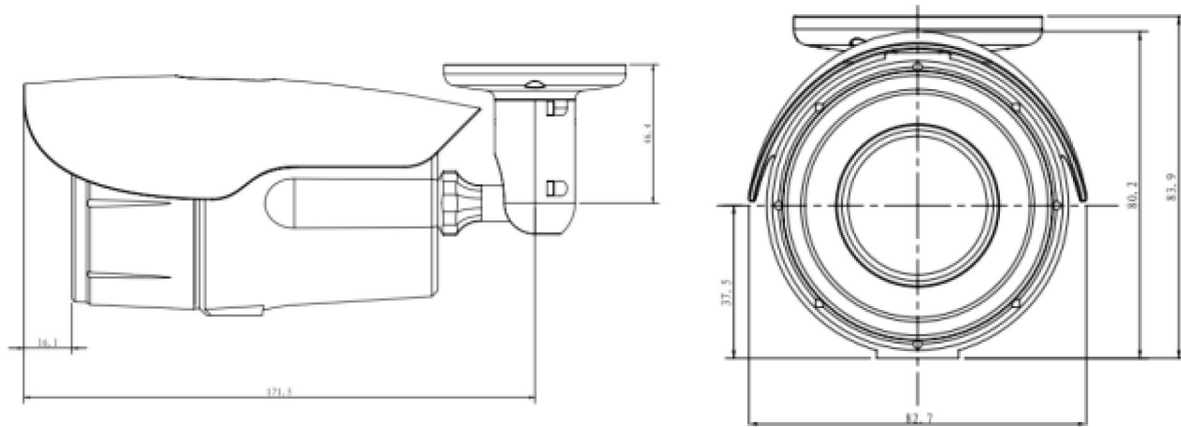
# DH-CA-FW480

## Technical Specifications

Model	DH-CA-FW480P	DH-CA-FW480N
<b>Camera</b>		
Image Sensor	1/3" Super HAD CCD II	
Effective Pixels	976(H) x 582(V), 570K pixels	976(H) x 494(V), 480K pixels
Horizontal Resolution	Color: 700TVL, B/W: 750TVL	
Electronic Shutter	Auto: 1/50s~1/100,000s	Auto: 1/60s~1/100,000s
Synchronization	Internal	
Min. Illumination	0.02Lux@F1.2 (0Lux IR LED On)	
S/N Ratio	> 60dB	
Video Output	1Vp-p Composite Output (75Ω/BNC), 2 BNC out	
<b>Camera Features</b>		
Max. IR LEDs Length	30m, Smart IR	
Day/Night	Auto(Electronic) / Color / B/W	
Backlight Compensation	BLC / HLC / DWDR	
White Balance	Auto Trace WB1 / Auto Trace WB2 / Manual / Auto	
Gain Control	Auto / Manual	
<b>Lens</b>		
Focal Length	4~9mm (2.8~12mm optional)	
Focus Control	Manual	
Lens Type	Manual	
Mount Type	Φ14	
<b>General</b>		
Power Supply	DC12V±10%(-A model: DC12V/AC24V dual power supply)	
Power Consumption	Max 7.5W	
Working Environment	-30°C~+60°C / 20%~80%RH	
Ingress Protection	IP66	
Dimensions(W×D×H)	83.9mm× 202mm × 82.7mm	
Weight	650g	
Others	Default: with Bracket	

# DH-CA-FW480

## Dimensions (mm)



**Main Office Address:(Cebu City)**  
Ground Floor SUGBUTEL Bldg. S.Osmeña Blvd.  
Corner Road East North Reclamation Area  
(Near SM City) Cebu, 6000 Philippines  
**Contact:**  
Tel#: (032) 266 - 7122  
Email: sales@gigaworkz.net

**Cagayan De Oro Branch**  
2nd Floor ORO Holiday Appliance Plaza Bldg.  
Osmeña Extension St.  
(Beside Capitol University - Back Gate)  
Cagayan De Oro City, 9000 Philippines  
**Contact:**  
Tel#: (088) 880 - 1821  
Email: salescagayan@gigaworkz.net

**Metro Manila Branch**  
Suite 815, Ortigas Bldg.,  
Ortigas Avenue(In-front of Meralco Bldg.)  
Pasig City, Philippines  
**Contact:**  
Tel #: (02) 632 - 0720  
Email: salesmanila@gigaworkz.net