

DH-CA-FW191G

800TVL HDIS Day/Night Waterproof IR Camera



Features

- > 1/3" 1.3Mega HDIS
- > High resolution of 800TVL(Color)
- > Day/Night(ICR), ATW, AGC, BLC
- > 6mm fixed lens (2.8 mm, 3.6mm, 8mm optional)
- > Max. IR LEDs length 20m, Smart IR
- > IP66, DC12V

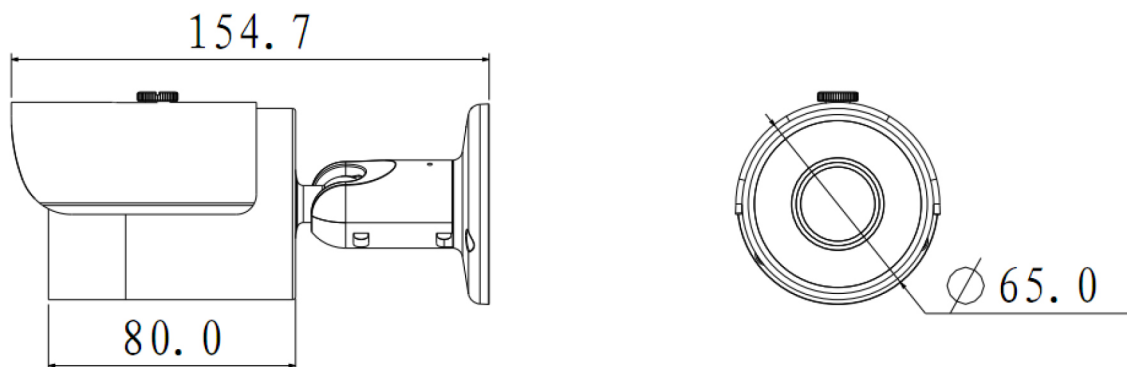
DH-CA-FW191G

Technical Specifications

Model	DH-CA-FW191GP	DH-CA-FW191GN
Camera		
Image Sensor	1/3" 1.3Mega HDIS	
Effective Pixels	1280(H)×960(V)	
Horizontal Resolution	800TVL	
Electronic Shutter	4/25s~1/45,000s	4/30~1/54,000s
Synchronization	Internal	
Min. Illumination	0.01Lux@F1.2(0Lux IR LED on)	
S/N Ratio	>65dB(AGC Off)	
Video Output	1Vp-p Composite Output (75Ω/BNC)	
Camera Features		
Max. IR LEDs Length	20m, Smart IR	
Day/Night	Auto(ICR) / Color / B/W	
Backlight Compensation	BLC	
White Balance	Auto	
Gain Control	Auto	
Noise Reduction	3D	
Lens		
Focal length	6mm (2.8 mm, 3.6mm, 8mm optional)	
Mount Type	M12	
General		
Power Supply	DC12V±10%	
Power Consumption	Max 4W	
Working Environment	-40°C~+60°C / 20%~80%RH	
Ingress Protection	IP66	
Dimensions(W×D×H)	Φ 65mm x154.7mm	
Weight	380g	
Others	Default: bracket included	

DH-CA-FW191G

Dimensions (mm)



Main Office Address:(Cebu City)
Ground Floor SUGBUTEL Bldg. S.Osmeña Blvd.
Corner Road East North Reclamation Area
(Near SM City) Cebu, 6000 Philippines
Contact:
Tel#: (032) 266 - 7122
Email: sales@gigaworkz.net

Cagayan De Oro Branch
2nd Floor ORO Holiday Appliance Plaza Bldg.
Osmeña Extension St.
(Beside Capitol University - Back Gate)
Cagayan De Oro City, 9000 Philippines
Contact:
Tel#: (088) 880 - 1821
Email: salescagayan@gigaworkz.net

Metro Manila Branch
Suite 815, Ortigas Bldg.,
Ortigas Avenue(In-front of Meralco Bldg.)
Pasig City, Philippines
Contact:
Tel #: (02) 632 - 0720
Email: salesmanila@gigaworkz.net