

DH-CA-DW481B

700TVL IR Zoom Dome Camera



Features

- 1/3" SONY EXview HAD CCD II & Effio-E DSP
- High resolution of 700TVL
- DWDR, D&N(ICR), 2DNR, Auto iris, AWB, AGC, BLC, MD, Privacy Masking, Picture Adjustment
- 2.8~12mm vari-focal lens
- Max. IR LEDs length 20m, Smart IR
- OSD, DC12V(-A model: DC12V/AC24V dual power supply)

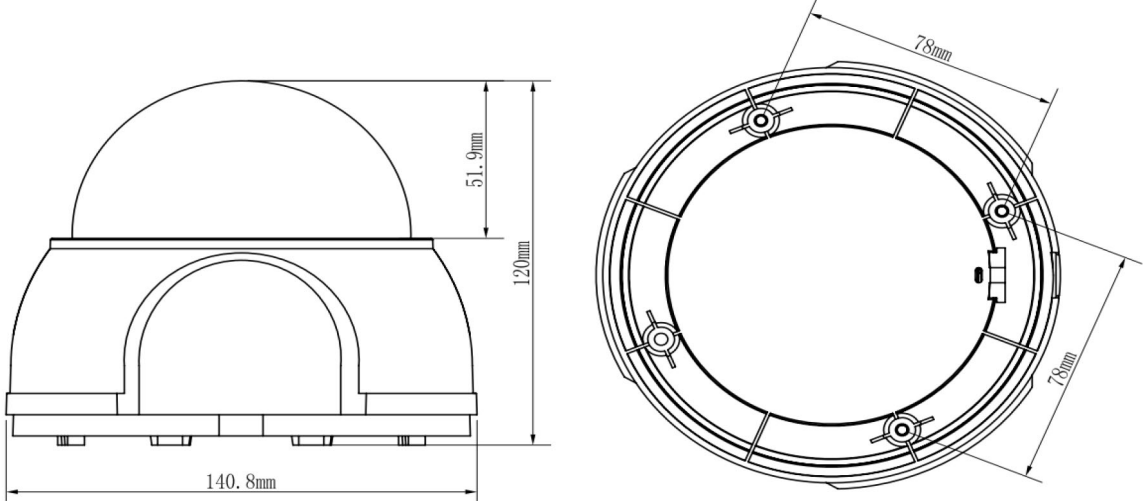
DH-CA-DW481B

Technical Specifications

Model	DH-CA-DW481BP(-A)	DH-CA-DW481BN(-A)
Camera		
Image Sensor	1/3" SONY EXview HAD CCD II	
Effective Pixels	976(H)×582(V), 570K pixels	976(H)×494(V), 480K pixels
Horizontal Resolution	700TVL	
Electronic Shutter	1/50s~1/100,000s, 10s~1/100,000s@Slow shutter, 512x	1/60s~1/100,000s, 8s~1/100,000s@Slow shutter, 512x
Synchronization	Internal	
Min. Illumination	0.005Lux@F1.4 (0Lux IR LED On)	
S/N Ratio	>60dB	
Video Output	1Vp-p Composite Output (75Ω/BNC)	
Camera Features		
Max. IR LEDs Length	20m, Smart IR	
OSD	English, Chinese, French, German, Russian, Spanish, Portuguese, Japanese	
Day/Night	Auto(ICR) / Color / B/W	
Backlight Compensation	BLC / HLC / DWDR	
White Balance	Auto Trace WB1 / Auto Trace WB2 / Manual / Auto	
Gain Control	Auto / Manual	
Noise Reduction	2D	
Privacy Masking	Up to 4 areas	
Picture Adjustment	Mirror / Brightness / Contrast / Sharpness / Hue / Gain/Slow Shutter	
Lens		
Focal Length	2.8~12mm	
Focus Type	Manual	
Lens Type	Manual / Auto iris	
Mount Type	Φ14	
General		
Power Supply	DC12V±10%(-A model: DC12V/AC24V dual power supply)	
Power Consumption	Max 4W	
Working Environment	-30°C~+60°C / 20%~80%RH	
Dimensions	Φ140.8mm×120mm	
Weight	400g (-A: 420g)	

DH-CA-DW481B

Dimensions (mm)



Main Office Address:(Cebu City)
Ground Floor SUGBUTEL Bldg. S.Osmeña Blvd.
Corner Road East North Reclamation Area
(Near SM City) Cebu, 6000 Philippines
Contact:
Tel#: (032) 266 - 7122
Email: sales@gigaworkz.net

Cagayan De Oro Branch
2nd Floor ORO Holiday Appliance Plaza Bldg.
Osmeña Extension St.
(Beside Capitol University - Back Gate)
Cagayan De Oro City, 9000 Philippines
Contact:
Tel#: (088) 880 - 1821
Email: salescagayan@gigaworkz.net

Metro Manila Branch
Suite 815, Ortigas Bldg.,
Ortigas Avenue(In-front of Meralco Bldg.)
Pasig City, Philippines
Contact:
Tel #: (02) 632 - 0720
Email: salesmanila@gigaworkz.net